



# TRANSVERSE DRUM CUTTER



## EFFECTIVE MATERIAL REMOVAL

The transverse drum cutter range is designed to work on a wide range of excavators (2-60T). They are an ideal attachment for rocky terrain excavation, trenching and surface scaling in the most adverse terrain conditions. Coupled with multiple drum configurations, our drum cutters ensure high performance, maximum productivity and value add to our customers.

### HIGH QUALITY CONSTRUCTION & DESIGN

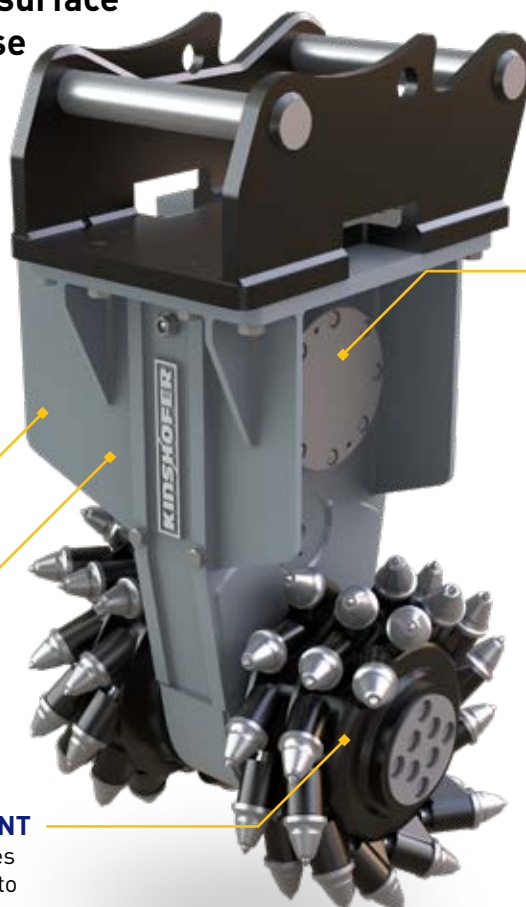
Low noise and vibration levels guarantee low-fatigue working conditions and less wear on your machine's components.

### ROBUST SPUR GEAR

Extreme torque amplification due to our robust spur gear, to achieve best in class pick force where it matters most. No nonsense workhorse.

### LARGE DRUM AND PICK ASSORTMENT

Fast, easy exchange of wear parts reduces downtime and enables your drum cutter to be ready for any task.



### LOW MAINTENANCE OPERATION

Durable, low-maintenance operation due to large-scale drive shaft bearing, heavy-duty sealing system and robust housing structure. Suitable for hard continuous running!

### WATERPROOF TO 25M DEPTH

Our drum cutter range is completely waterproof up to a depth of 25m. This feature allows trenching in the most inaccessible locations.

### ADJUSTABLE HYDRAULIC MOTORS

Hydraulic motor can be adjusted in accordance with hydraulic output of excavator to maximise throughput and make sure your machine & attachment work at their highest level of efficiency & performance.

### Applications

- ▶ Scaling of rock and concrete walls
- ▶ Tunnel Excavation
- ▶ Trenching in extreme grounds
- ▶ Loosen hard rock ground effectively
- ▶ Under water trenching up to 25m
- ▶ Tunnel excavation
- ▶ Mining operations

[www.augertorque.com](http://www.augertorque.com)

CALL 01451 861652

EMAIL [sales@augertorque.com](mailto:sales@augertorque.com)

OR CONTACT YOUR NEAREST DEALER

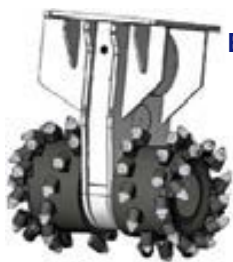
# TRANSVERSE DRUM CUTTER

## Specifications

Model		DC04	DC06	DC08	DC15	DC20	DC30	DC35	DC45	DC60
Carrier Weight	t	2-4	4-6	6-8	8-15	15-20	20-30	30-35	35-45	45-60
	lb	4480-8960	8960-13440	13440-17920	17920-33600	33600-44800	44800-67200	67200-78400	78400-100800	100800-134400
Product Length	mm	700*	700*	700*	835	965*	1093	1095	1095	1345
	inch	28*	28*	28*	33	38*	43	43	43	53
Drum Dimensions (width x dia.)	mm	500x325*	500x325*	500x325*	630x390*	750x550*	900x615	900x615	1200x760	1400x760
	inch	20x13*	20x13*	20x13*	25x15*	30x22*	35x24	35x24	47x30	55x30
Connecting Plate (width x length)	mm	320x310	320x310	320x310	405x475	530x510	600x650	600x650	740x780	740x780
	inch	13x12	13x12	13x12	16x19	21x20	24x26	24x26	29x31	29x31
Weight approx.	kg	250	250	250	420	850	1400	1460	2550	2800
	lb	551	551	551	926	1874	3086	3219	5622	6173
Nominal Power	kW	18	18	22	30	45	60	90	120	140
	hp	24	24	30	40	60	80	121	161	188
Max.Torque	Nm	2330	2330	4750	7880	9990	13650	24150	36200	43600
	ft-lb	1719	1719	3503	5812	7368	10068	17812	26700	32158
Oil Flow	lpm	48	50	60	90-115	100-170	140-210	240-340	300-500	360-600
	gpm	12.7	13.2	15.9	23.8-30.4	26.4-44.9	37.0	63.4-89.8	79.3-132.1	95.1-158.5
Operating Pressure	bar	215/180	215/180	215/180	225-180	200/180	240/200	210/180	205/180	225/190
	psi	3118/2611	3118/2611	3118/2611	3263-2611	2901/2611	3481-2901	3046/2611	2973/2611	3263/2758
Pic Force	kN	16-26.6	16-26.6	16-26.6	23-40	32-36	44.5	39.3	78-95	115
Cutting Width	mm	500	500	500	630	750	900	900	1200	1400
	inch	19.6	19.6	19.6	24.8	29.5	35.4	35.4	47.2	55.0

\*excavating & demolition drum    \*\*profiling drum

## Drum & Pick Arrangements



**EXCAVATING**



**DEMOLITION**



**PROFILING**  
(available upon request)



Part of the Auger Torque Earthmoving range

**EARTH DRILLS | AUGERS & WEAR PARTS | SCREW PILE DRIVES | TRENCHERS | HAMMERS**

[www.augertorque.com](http://www.augertorque.com)

CALL 01451 861652

EMAIL [sales@augertorque.com](mailto:sales@augertorque.com)

OR CONTACT YOUR NEAREST DEALER